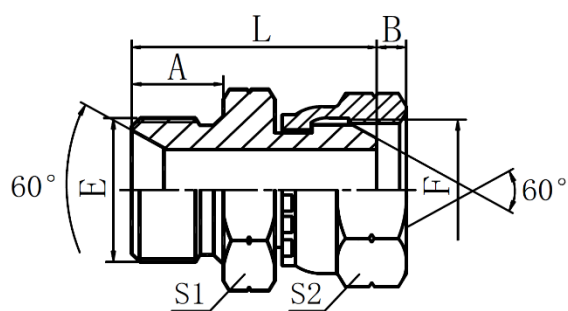


BSSP Straight Swivel Fittings


BS 2779, ISO 228/1

BS 21, ISO 7/1

PART NO.	THREAD		DIMENSIONS						
	E	F			A	B	L	S1	S2
2VTB-02Z	G1/8"X28	G1/8"X28			10	5.5	25	14	14
2VTB-02-04Z	G1/8"X28	G1/4"X19			10	5.5	27	14	19
2VTB-04Z	G1/4"X19	G1/4"X19			12	5.5	29	19	19
2VTB-04-06Z	G1/4"X19	G3/8"X19			12	6.3	30.5	19	22
2VTB-04-08Z	G1/4"X19	G1/2"X14			12	7.5	32	19	27
2VTB-06Z	G3/8"X19	G3/8"X19			13.5	6.3	34	22	22
2VTB-06-08Z	G3/8"X19	G1/2"X14			13.5	7.5	35.5	22	27
2VTB-06-10Z	G3/8"X19	G5/8"X14			13.5	9.5	36	22	30
2VTB-08Z	G1/2"X14	G1/2"X14			16	7.5	40	27	27
2VTB-08-06Z	G1/2"X14	G3/8"X19			16	6.3	38.2	27	22
2VTB-08-12Z	G1/2"X14	G3/4"X14			16	10.9	41	27	32
2VTB-10Z	G5/8"X14	G5/8"X14			17.5	9.5	42	30	30
2VTB-10-08Z	G5/8"X14	G1/2"X14			18	7.5	41.5	30	27
2VTB-10-12Z	G5/8"X14	G3/4"X14			17.5	10.9	42.5	30	32
2VTB-12Z	G3/4"X14	G3/4"X14			18.5	10.9	44.5	32	32
2VTB-12-10Z	G3/4"X14	G5/8"X14			18.5	9.5	44	32	30
2VTB-12-16Z	G3/4"X14	G1"X11			18.5	11.7	46	32	41
2VTB-16Z	G1"X11	G1"X11			20.5	11.7	50	41	41
2VTB-16-12Z	G1"X11	G3/4"X14			20.5	10.9	48	41	32
2VTB-16-20Z	G1"X11	G1.1/4"X11			20.5	10.1	53	41	50
2VTB-20Z	G1.1/4"X11	G1.1/4"X11			20.5	10.1	55	50	50
2VTB-20-24Z	G1.1/4"X11	G1.1/2"X11			20.5	12.5	55.5	50	55
2VTB-24Z	G1.1/2"X11	G1.1/2"X11			23	12.5	58	55	55
2VTB-32Z	G2"X11	G2"X11			25.5	16.1	63.5	70	70

BSSP Straight Swivel Fittings

Connector material		Part. No. suffix	Part No. example	
Carbon steel (Default)		Z	2VTB-08Z	
304 stainless steel		SR	2VTB-08SR	
316L stainless steel		SV	2VTB-08SV	
316Ti stainless steel		SY	2VTB-08SY	
Plating method	Part. No. suffix	Part No. example	White rust (Hours)	Red rust(Hours)
Cr3+ plating (Default)	Z	2VTB-08Z	96	360
Durakote plating	ZD	2VTB-08ZD	360	720
Zinc-nickel plating	ZN	2VTB-08ZN	1000	-