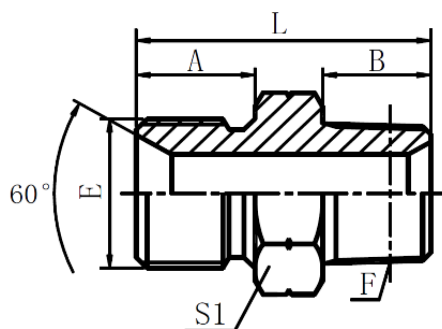


**BSSP x BSPT fittings**

BSP MALE DOUBLE USE FOR 60° CONE SEAT OR BONDED SEAL / BSPT MALE

BS 2779, ISO 228/1  
BS 21, ISO 7/1



PART NO.	THREAD		DIMENSIONS					
	E	F	A	B	L	S1		
1VT-02SPZ	G1/8"X28	R1/8"X28	10	10	26	14		
1VT-02-4SPZ	G1/8"X28	R1/4"X19	10	14.5	30.5	14		
1VT-04SPZ	G1/4"X19	R1/4"X19	12	14.5	32	19		
1VT-04-02SPZ	G1/4"X19	R1/8"X28	12	10	28	19		
1VT-04-06SPZ	G1/4"X19	R3/8"X19	12	15	32	19		
1VT-04-08SPZ	G1/4"X19	R1/2"X14	12	20	40	24		
1VT-06SPZ	G3/8"X19	R3/8"X19	13.5	15	35.5	22		
1VT-06-04SPZ	G3/8"X19	R1/4"X19	13.5	14.5	35.5	22		
1VT-06-08SPZ	G3/8"X19	R1/2"X14	13.5	20	40.5	24		
1VT-08SPZ	G1/2"X14	R1/2"X14	16	20	45	27		
1VT-08-04SPZ	G1/2"X14	R1/4"X19	16	14.5	40.5	27		
1VT-08-06SPZ	G1/2"X14	R3/8"X19	16	15	40	27		
1VT-08-12SPZ	G1/2"X14	R3/4"X14	16	20	45	30		
1VT-10-06SPZ	G5/8"X14	R3/8"X19	17.5	15.5	41.5	30		
1VT-10-08SPZ	G5/8"X14	R1/2"X14	17.5	20	46.5	30		
1VT-10-12SPZ	G5/8"X14	R3/4"X14	17.5	20	46.5	30		
1VT-10-16SPZ	G5/8"X14	R1"X11	17.5	25.5	54	36		
1VT-12SPZ	G3/4"X14	R3/4"X14	18.5	20	48.5	32		
1VT-12-08SPZ	G3/4"X14	R1/2"X14	18.5	20	48.5	32		
1VT-12-16SPZ	G3/4"X14	R1"X11	18.5	25.5	53.5	36		
1VT-12-20SPZ	G3/4"X14	R1.1/4"X11	18.5	26.5	58	46		
1VT-16SPZ	G1"X11	R1"X11	20.5	25.5	58	41		
1VT-16-12SPZ	G1"X11	R3/4"X14	20.5	20	53	41		
1VT-16-20SPZ	G1"X11	R1.1/4"X11	20.5	26.5	60	46		
1VT-20SPZ	G1.1/4"X11	R1.1/4"X11	20.5	26.5	62	50		
1VT-20-12SPZ	G1.1/4"X11	R3/4"X14	20.5	20.5	56	50		

## BSSP x BSPT fittings

1VT-20-16SPZ	G1.1/4"X11	R1"X11			20.5	25.5	61	50	
1VT-20-24SPZ	G1.1/4"X11	R1.1/2"X11			20.5	26.5	62	50	
1VT-24SPZ	G1.1/2"X11	R1.1/2"X11			23	26.5	64.5	55	
1VT-24-16SPZ	G1.1/2"X11	R1"X11			23	26	63.5	55	
1VT-24-20SPZ	G1.1/2"X11	R1.1/4"X11			23	26.5	64.5	55	
1VT-24-32SPZ	G1.1/2"X11	R2"X11			23	30	70	65	
1VT-32SPZ	G2"X11	R2"X11			25.5	30	72.5	70	
1VT-32-20SPZ	G2"X11	R1.1/4"X11			25.5	27	68.5	70	
1VT-32-24SPZ	G2"X11	R1.1/2"X11			25.5	26.5	68.5	70	
1VT-40SPZ	G2.1/2"X11	R2.1/2"X11			32	34	83	90	
1VT-48SPZ	G3"X11	R3"X11			36	38	94	100	

Connector material		Part. No. suffix	Part No. example		
Carbon steel (Default)		Z	1VT-08SPZ		
304 stainless steel		SR	1VT-08SPSR		
316L stainless steel		SV	1VT-08SPSV		
316Ti stainless steel		SY	1VT-08SPSY		
Plating method	Part. No. suffix	Part No. example	White rust (Hours)	Red rust(Hours)	
Cr3+ plating (Default)	Z	1VT-08SPZ	96	360	
Durakote plating	ZD	1VT-08SPZD	360	720	
Zinc-nickel plating	ZN	1VT-08SPZN	1000	-	