

KH series high pressure valves are ideal choice for Gases, hydraulic line applications, petrochemicals, aggressive liquids. Carrying decades of experience in hydraulic industry, new range of valve from VOTH Hydromatics fulfils your demands in various industries, our full bore valves are manufactured with high precision and long lasting requirements.

### Design

Viton (V) as standard seal NBR (N) & EPDM (E) are available  
 Mildsteel (KH series) with electro nickel plating  
 Various material of construction available SS304L (04 series), SS316L (16 series)



### Industry

Petrochemical  
 Aggressive liquids  
 Hydraulics/ thermo oil  
 Paint industries  
 Water & special gases  
 Vacuum applications



High Pressure

## DIN/ISO 228 BSP

### KH series –NBR (KHN)-VITON (KHV)-EPDM (KHE)

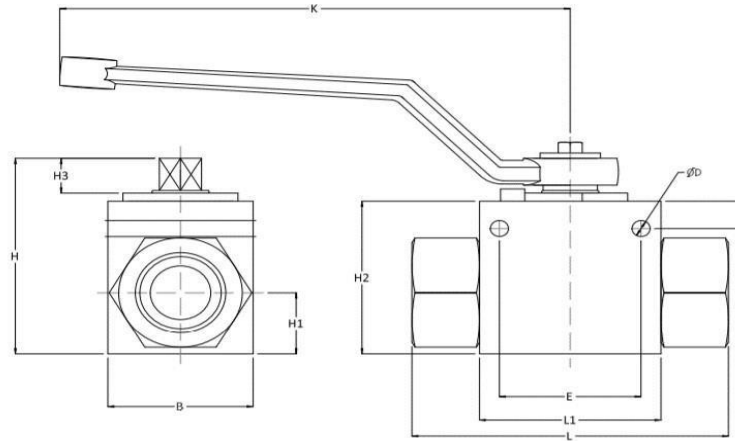
Series KHN		Series KHV		Series KHE	
Body	Free-cutting steel	Body	Free-cutting steel	Body	Free-cutting steel
Adapter	Free-cutting steel	Adapter	Free-cutting steel	Adapter	Free-cutting steel
Ball	Free-cutting steel	Ball	Free-cutting steel	Ball	Free-cutting steel
Stem	Free-cutting steel	Stem	Free-cutting steel	Stem	Free-cutting steel
Ball seat	POM	Ball seat	PTFE	Ball seat	PTFE
Handle	MS Zinc plated	Handle	MS Zinc plated	Handle	MS Zinc plated
Washer	Alloy steel	Washer	Alloy steel	Washer	Alloy steel
Washer	Alloy steel	Washer	Alloy steel	Washer	Alloy steel
Stem ring	NBR	Stem ring	Viton	Stem ring	EPDM
Pin	Free-cutting steel	Pin	Free-cutting steel	Pin	Free-cutting steel
Seeger	304L	Seeger	304L	Seeger	304L
Adapter o-ring	NBR	Adapter o-ring	Viton	Adapter o-ring	EPDM
Stem o-ring	NBR	Stem o-ring	Viton	Stem o-ring	EPDM
Screw	8.8grade	Screw	8.8grade	Screw	8.8grade

### KH series –Technical specifications

Series KHN		Series KHV		Series KHE	
Temp.	108°C	Temp.	180°C	Temp.	110°C
Ball seal	POM	Ball seal	PTFE	Ball seal	PTFE
Stem seal	NBR	Stem seal	VITON	Stem seal	EPDM
Pr.(bar)	500bar	Pr.(bar)	500bar	Pr.(bar)	500bar
Vac(bar)	-1 bar	Vac(bar)	-1 bar	Vac(bar)	-1 bar
Media	Hydraulic oil	Media	hydrocarbon, alkalis	Media	Ketones, solvents

Various material of construction depending on media processed – contact us today for your specific needs.

Dimensions (mm)



MODEL	SIZE	B	C	D	E	G	H	H1	H2	H3	L	L1	WP(bar)
KHN14	G 1/4"	28.2	5	4.5	26.2	107	44.3	12.7	32.3	8.5	69	36.8	500
KHN38	G 3/8"	32.2	5	6.7	32.5	107	52	17	40.2	8.5	72	42.2	500
KHN12	G 1/2"	35.2	5.2	6.4	37.7	107	52	18	40.2	8.5	83.3	48	500
KHN13	G 3/4"	48.2	6.8	7	45	170	74.7	25	57.1	14	95	60	500
KHN100	G 1"	57.1	6	6.8	54.5	170	81.8	29	64.8	14	112.8	65	500
KHN114	G 1 1/4"	75.2	9.2	10.7	67.5	234	103.6	37.7	84	16	110	84	350
KHN112	G 1 1/2"	85.2	9.2	10.7	72.3	234	115.2	42.5	95.3	16	129.7	91	350
KHN200	G 2"	105	9.2	10.7	80	234	132.7	52.5	112.5	16	140.3	100	350
KHN212	G 2 1/2"	117.7	9.2	10.7	98	234	150	62	124.5	16	152.4	111.8	350
KHV14	G 1/4"	28.2	5	4.5	26.2	107	44.3	12.7	32.3	8.5	69	36.8	500
KHV38	G 3/8"	32.2	5	6.7	32.5	107	52	17	40.2	8.5	72	42.2	500
KHV12	G 1/2"	35.2	5.2	6.4	37.7	107	52	18	40.2	8.5	83.3	48	500
KHV13	G 3/4"	48.2	6.8	7	45	170	74.7	25	57.1	14	95	60	500
KHV100	G 1"	57.1	6	6.8	54.5	170	81.8	29	64.8	14	112.8	65	500
KHV114	G 1 1/4"	75.2	9.2	10.7	67.5	234	103.6	37.7	84	16	110	84	350
KHV112	G 1 1/2"	85.2	9.2	10.7	72.3	234	115.2	42.5	95.3	16	129.7	91	350
KHV200	G 2"	105	9.2	10.7	80	234	132.7	52.5	112.5	16	140.3	100	350
KHV212	G 2 1/2"	117.7	9.2	10.7	98	234	150	62	124.5	16	152.4	111.8	350
KHE14	G 1/4"	28.2	5	4.5	26.2	107	44.3	12.7	32.3	8.5	69	36.8	500
KHE38	G 3/8"	32.2	5	6.7	32.5	107	52	17	40.2	8.5	72	42.2	500
KHE12	G 1/2"	35.2	5.2	6.4	37.7	107	52	18	40.2	8.5	83.3	48	500
KHE13	G 3/4"	48.2	6.8	7	45	170	74.7	25	57.1	14	95	60	500
KHE100	G 1"	57.1	6	6.8	54.5	170	81.8	29	64.8	14	112.8	65	500
KHE114	G 1 1/4"	75.2	9.2	10.7	67.5	234	103.6	37.7	84	16	110	84	350
KHE112	G 1 1/2"	85.2	9.2	10.7	72.3	234	115.2	42.5	95.3	16	129.7	91	350
KHE200	G 2"	105	9.2	10.7	80	234	132.7	52.5	112.5	16	140.3	100	350
KHE212	G 2 1/2"	117.7	9.2	10.7	98	234	150	62	124.5	16	152.4	111.8	350

Ordering different MOC

SS304L

Suffix-04

Ordering code Example

KHN14

/04

SS316L

suffix-16

KHN14

/16