



2 Piece Stainless Steel Ball Valves

2 Piece Stainless Steel Ball Valves

Size: 1/4" - 6"

Grade: SS316

Power: Hydraulic

Material: Stainless Steel

Finishing Type: Polished



- 2 Piece Stainless steel ball valve will open or shut off the flow of most liquids and gases quickly and easily and is suitable for just about any application where a simple on/off action is needed
- It is mainly used to cut off, distribute and change the flow direction of the medium in the pipeline.
- Easy to operate, open and close quickly, from full open to full close as long as 90 ° rotation, easy to the remote control.
- The fluid resistance is small, and its resistance coefficient is equal to that of the same length of pipe.
- Stainless steel 2PC ball valve is tight and reliable. It has two sealing surfaces.
- Used in the sealing surface material of 2PC ball valve, which has good sealing performance and can realize complete sealing. It has been widely used in vacuum systems.
- It has the advantages of a simple structure, small volume, and lightweight.
- The flow resistance of the steel ball valve is small, and the 2PC ball valve with full diameter basically has no flow resistance.
- When it is fully opened or closed, the sealing surface of the ball and valve seat is isolated from the medium, and the medium will not cause erosion of the valve sealing surface.
- Healthy and non-toxic, bacterial neutral, conforming to drinking water standards.
- Ball valve has a simple structure, good sealing performance, no stuck, and is easy to operate and easy to open and close quickly, which makes it widely used.

Applications



Low pressure



Hazards applications where lock necessary



Water, oil & solvents

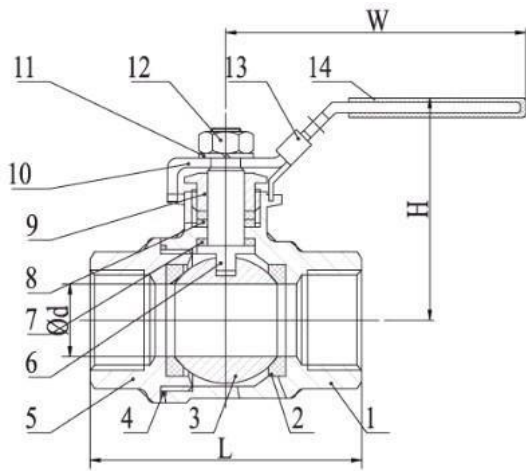
Specification

- For Industrial, Chemical & General Applications
- 2 Piece stainless steel Construction
- Threaded BSPP Ends
- Full Bore
- Lockable Lever Handle
- Blowout Proof Stem
- Investment Cast Body
- Pressure Rating:: 1000PSI WOG Nominal at 100°C
- Pressure Rating:: 2000PSI WOG Max pressure at 50°C
- Working Temperature: -20°C~200°C
- Replacement Seal Kits available
- Available with full VA components
- Testing to API598
- Designed according to EN12516

Main Parts and materials		1/4"-2.1/2"	
No.	Part Name	Material	
		Stainless steel	Carbon steel
1	Body	SS201/SS304/SS316	WCB
2	Ball	SS201/SS304/SS316	SS201/SS304/SS316
3	Joint ring	PTFE/RPTFE/PEEK	PTFE/RPTFE/PEEK
4	Joint gasket	PTFE	PTFE
5	Cap	SS201/SS304/SS316	WCB
6	Tem	SS201/SS304/SS316	SS201/SS304/SS316
7	Thrust	PTFE	PTFE
8	Stem packing	PTFE	PTFE
9	Gland	SS201/SS304/SS316	SS201/SS304/SS316
10	Handle	SS201/SS304/SS316	SS201/SS304/SS316
11	Hand washer	SS201/SS304/SS316	SS201/SS304/SS316
12	Stem nut	SS201/SS304/SS316	SS201/SS304/SS316
13	Handle cover	Plastic	Plastic
Part Name		Material	
Body	WCB	CF8	CF8M
Cap	WCB	CF8	CF8M
Disc	CF8	CF8	CF8M
Seal ring		304,316, PTFE	
Gaskets		PTFE	

STAINLESS STEEL BALL VALVES

Specification



DIMENSIONS			
DN	d	L	H
8 (3/4")	12.5	50	49
10 (3/8")	12.5	50	49
15 (1/2")	15	56	51
20 (3/4")	20	66	58
25 (1")	25	79	73
32 (1 1/4")	32	91	79
40 (1 1/2")	38	99	85
50 (2")	50	121	95

NO.	PART NAME	MATERIAL
1	Body	ASTM A351-CF8M
2	Ball Seat	PTFE
3	Ball	ASTM A351-CF8M
4	Body Gasket	PTFE
5	Cap	ASTM A351-CF8M
6	Stem	AISI 316
7	Thrust Washer	PTFE
8	Stem Packing	PTFE
9	Gland Nut	AISI 304
10	Handle	AISI 304
11	Washer	AISI 304
12	Nut	AISI 304
13	Lock Device	AISI 304
14	Handle Cover	Plastic

(PTFE) PRESSURE-TEMPERATURE RATING

